

PROFI-HUB ENHANCED RANGE

GKN's innovative Profi-Hub is the perfect solution for today's machinery demands.

Designed by our specialist GKN engineers, the new Profi-Hub series combines increased carrying capacity, combined with improved servicing and performance.

With an extensive range of Hubs, Spindles and other components in its portfolio, GKN Wheels has been leading the way with the design and manufacture of Hubs Systems.

GKN's known hub range the 871 and 873—have been re-designed to reflect today's more demanding market requirements and offer improved features and capabilities with much greater value to customers.

The Profi-Hub range offers three primary areas of improvement.

1. Increased Carrying Capacity

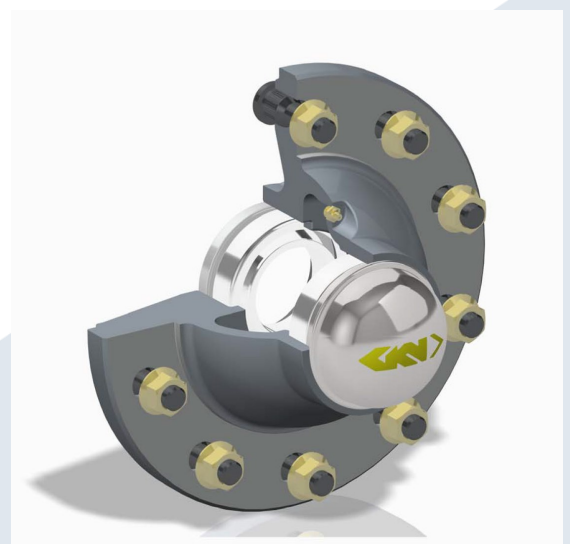
- Capable of load requirements up to 15,700lbs.
- Casting weight has been reduced by 15lbs.
- As a result carbon footprint has improved by 30lbs of CO² per hub.

2. Improved Bearing Performance

- The re-designed hub has been tested to demonstrate a remarkable 2.5x bearing improvement, with a design patent pending on the new shaped hub.

Highlights >

- Innovative design solution
- Patent pending shape increased bearing life by 2.5x
- Increased strength & load capacity
- Weight reduction compared to the previous 87x hub offering
- Improved serviceability of the hub assembly
- Recessed grease fitting to reduce field damage and improve fitting access
- Enhance warranty from GKN



3. Improved Servicing

- The recessed grease fitting reduces the risk of damage while in use.
- A press-on style hub cap simplifies the serviceability. A simple pry tool is all that is required to remove the cap.

For further information please email us at: marketing.wheels@gkn.com

or visit www.gknwheelsandstructures.com

> PROFI-HUB 286 SERIES

10 Bolt Holes—11.25" (285.75mm) Bolt Circle Diameter—8.66" (220 mm) Pilot Diameter												
Part Number	Load Capacity		Inner Bearing Set			Outer Bearing Set			Brake Option	Fastener Type		
	Lbs	Kg	Cup	Cone	Bore Dia (in)	Cup	Cone	Bore Dia (in)		3/4" Stud	20m m stud	20m m Bolt
169A286-2002	21,800	5,800	39520	39585	2.5	453A	460	1.75	N	Std	Opt	Opt
169B286-2002									Y	Std	Opt	Opt
176A286-2003	15,700	7,100	33462	33275	2.75	453A	460	1.75	N	Std	Opt	Opt
176B286-2003									Y	Std	Opt	Opt

INTERCHANGEABILITY AND LOAD REFERENCE CHART												
Ref Hub models	Application Loading Requirement											
	11,000	11,400	12,000	12,300	12,800	13,200	13,900	14,300	15,000	15,700	16,100	
871 Model	169											
286 Series	169											
873 Model				176								
286 Series				176								

Customizable Items include:

- > Enhanced seal—cartridge seal
- > Grade 8 strength level stud or wheel bolts
- > Various nut options
- > Designed for 20,000 miles at 20 mph nominal speed
- > Bearing sets packed with high quality lithium grease
- > Assemblies available in a brake and non brake version
- > Brake version includes: 6 hole—8.25" (209.6mm) Bolt circle—6.00" (152.4mm) Pilot Diameter

